

# Scroll Condensing Units



- Quiet and efficient Copeland scroll hermetic compressors
- Generous wide finned, low noise level condensers supplied with protective coil coating
- Wide range of factory fitted accessories available
- Specifically designed for Australasian conditions

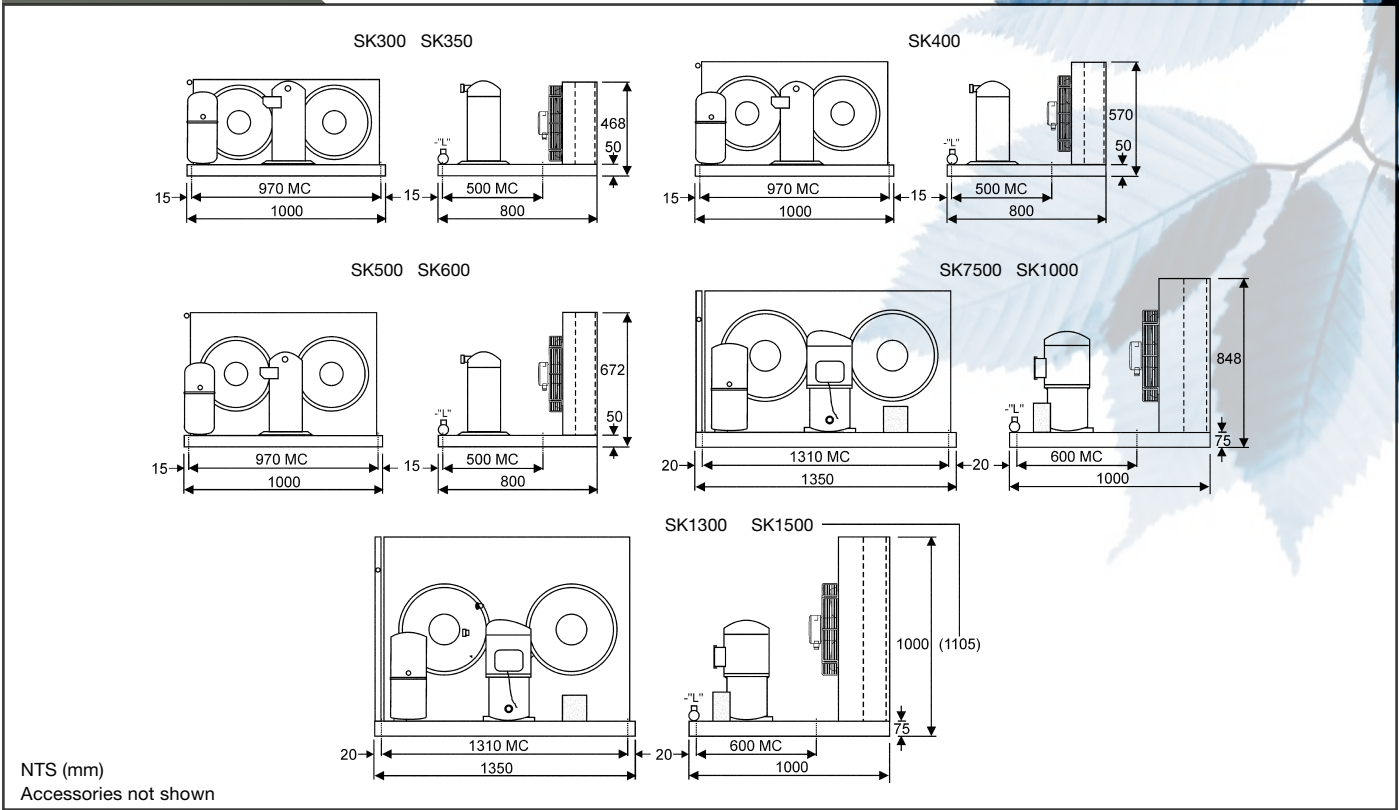
**SK** Low / Medium

3 15 hp

**CAPACITY (Watts) @ 32°C Ambient \***

MODEL	Nom. hp	Refrigerant	Evaporating Temp °C										
			-40	-35	-30	-25	-20	-15	-10	-5	0	5	
SK300	3.0	R22	1510	1910	2360	2890	3540	4260	5070	5940	6980	8070	
		R404A	1680	2080	2580	3120	3740	4450	5250	6070	7070	8060	
SK350	3.5	R22	1870	2350	2910	3550	4300	5160	6140	7190	8360	9650	
		R404A	2050	2550	3160	3820	4580	5360	6320	7280	8320	9460	
SK400	4.0	R22	2190	2730	3400	4160	5040	6070	7230	8490	9960	11510	
		R404A	2500	3100	3770	4560	5450	6450	7580	8710	10100	11450	
SK500	5.0	R22	2660	3320	4150	5090	6170	7410	8830	10330	12120	13980	
		R404A	2930	3710	4570	5540	6650	7890	9300	10720	12280	13990	
SK600	6.0	R22	3080	3880	4830	6000	7310	8740	10440	12380	14420	16670	
		R404A	3470	4400	5410	6550	7860	9340	10850	12520	14340	16330	
SK750	7.5	R22	3930	4900	6080	7430	8990	10810	12780	15150	17680	20490	
		R404A	4250	5370	6620	8020	9610	11390	13210	15450	17660	20070	
SK1000	10.0	R22	4950	6330	8100	10100	12400	14880	17740	20880	24110	27540	
		R404A	5460	7380	9210	11210	13390	15560	18270	21020	24060	27490	
SK1300	13.0	R22	7030	8530	10550	12520	15110	18170	21750	25660	30110	35140	
		R404A	7040	9050	11380	13620	16270	19250	22250	25970	29610	33620	
SK1500	15.0	R22	7490	9420	11630	14250	17320	20670	24740	29100	33980	39440	
		R404A	8230	10230	12590	15330	18450	21660	25590	29480	33660	37350	

**DIMENSIONS:**



**TECHNICAL DATA:**

MODEL	COMPRESSOR						CONDENSER			RECEIVER	CONNECTIONS (4)		Noise Level (dbA) (5)	Weight (kg)
	NOM. hp	MODEL (1)	VOLTAGE	DISP. m <sup>3</sup> /hr	RLA Amps	LRA Amps	Airflow l/sec	Fan Motor (2)		Capacity (kg) (3)	Receiver Outlet Valve	Comp Suct Valve		
								Watts	Amps					
SK300	3.0	ZF09K4E-TFD	380-420/3/50	8.1	6.5	40.0	1460	290	1.5	6.2	1/2" F.Sw	7/8" F.Sw	61	62
SK350	3.5	ZF11K4E-TFD	380-420/3/50	10.0	7.8	46.0	1460	290	1.5	6.2	1/2" F.Sw	7/8" F.Sw	61	64
SK400	4.0	ZF13K4E-TFD	380-420/3/50	11.8	8.3	51.5	1510	290	1.5	6.2	1/2" F.Sw	7/8" F.Sw	61	83
SK500	5.0	ZF15K4E-TFD	380-420/3/50	14.5	10.7	64.0	1470	290	1.5	8.8	5/8" F.Sw	7/8" F.Sw	62	96
SK600	6.0	ZF18K4E-TFD	380-420/3/50	17.2	13.8	74.0	1550	520	3.0	8.8	5/8" F.Sw	7/8" F.Sw	66	97
SK750	7.5	ZF24K4E-TWD	380-420/3/50	21.9	16.1	99.0	2550	940	4.0	10.4	7/8" F.Sw	1-1/8" F.Sw	67	174
SK1000	10.0	ZF33K4E-TWD	380-420/3/50	28.9	22.3	127.0	2360	940	4.0	10.4	7/8" F.Sw	1-3/8" F.Sw	69	188
SK1300	13.0	ZF40K4E-TWD	380-420/3/50	35.8	25.1	167.0	2950	940	4.0	10.4	7/8" F.Sw	1-3/8" F.Sw	69	235
SK1500	15.0	ZF48K4E-TWD	380-420/3/50	42.1	30.6	198.0	3770	962	4.4	20.0	7/8" F.Sw	1-5/8" F.Sw	69	270

**NOTES:**

- ZF compressors must be used with liquid injection kit (-Q accessory) for all applications within shaded zones (refer to ratings)
- Fan motors are suitable for 220-240/1/50
- R404A pump down capacity shown @ 80% full for 32° C liquid temperature
- Max valve connection size shown. May reduce for different refrigerants & applications
- All noise level ratings are "free field" based at a distance of 3 mtrs from source and are given as a guide only
- \*Capacity ratings are based on suction gas returning to compressor @ 20° C, without liquid sub-cooling. Ratings may be increased by approximately 1% for every 1.1 deg K of sub-cooling
- Standard condensers fitted. Ratings must not be extrapolated
- Check with Patton's nearest outlet for applications outside the specified range
- Pictured unit configuration subject to change and selected accessory options.

The company reserves the right to make specification changes without notice. 25/06/09