

Air Cooled Condensing Units



- Embraco aspera compressors - world renowned reliability
- Polyolester compressor lubricant
- Standard units (without accessories) are prewired to a terminal box
- Built for Australasian conditions

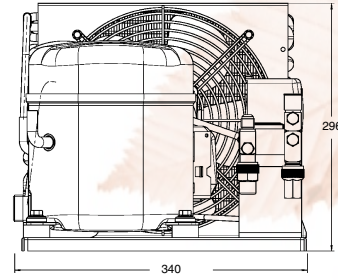
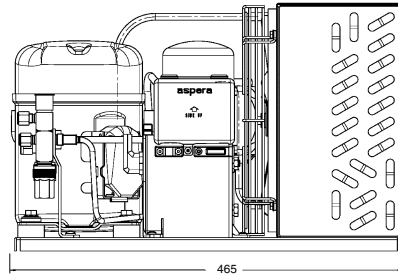
R404A Low

CAPACITY (Watts) @ 32°C Ambient

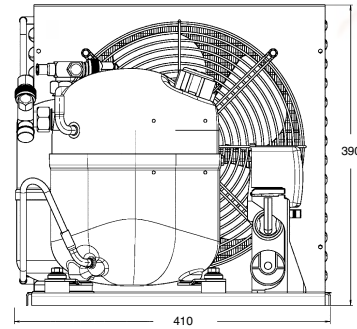
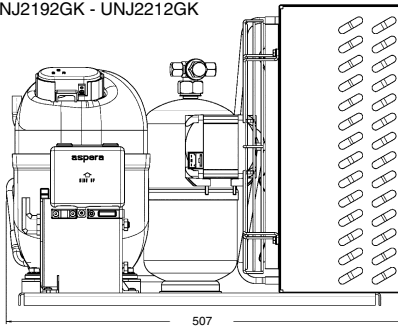
MODEL	Nom. hp	Evaporating Temp °C									
		-40	-35	-30	-25	-23.3			-20	-15	-10
						Input W	Watts	RLA			
UT2155GK	5/8	237	340	462	600	520	656	2.6	765	942	1123
UT2168GK	3/4	333	453	595	763	655	819	3.3	940	1142	1372
UT2178GK	1.0	437	586	753	947	770	1023	3.9	1165	1410	1693
UNJ2192GK	1-1/4	453	612	795	1000	905	1081	4.9	1233	1488	1767
UNJ2212GK	1-1/2	616	886	1163	1479	1175	1599	6.1	1826	2198	2605

OVERALL DIMENSIONS

UT2155GK - UT2168GK - UT2178GK



UNJ2192GK - UNJ2212GK



NTS (mm)
Accessories not shown

TECHNICAL DATA:

MODEL	COMPRESSOR					CONDENSER			RECEIVER	CONNECTIONS		Weight (kg)
	Model	Disp. (cc)	Motor Type (1)	RLA Amps	LRA Amps	Airflow l/sec	Fan Motor (2)		Capacity (kg) (3)	Comp Suct Valve	Receiver Outlet Valve	
							Watts	Amps				
UT2155GK	T2155GK	14.5	CSR	2.6	20.0	161	16	0.58	1.09	3/8"M.FI	1/4"M.FI	26.9
UT2168GK	T2168GK	17.4	CSR	3.3	18.0	161	16	0.58	1.09	3/8"M.FI	1/4"M.FI	27.6
UT2178GK	T2178GK	20.4	CSR	3.9	21.0	161	16	0.58	1.09	3/8"M.FI	1/4"M.FI	27.7
UNJ2192GK	NJ2192GK	26.0	CSR	4.9	26.0	236	34	0.84	2.09	1/2"F.Sw	3/8"F.Sw	33.5
UNJ2212GK	NJ2212GK	34.4	CSR	6.1	36.0	194	34	0.84	2.09	1/2"F.Sw	3/8"F.Sw	33.5

NOTES:

1. All compressors are "air over motor" type
2. Compressors and fan motors are 220-240V/1Ph/50Hz
3. Receiver storage capacity is 90% full for R404A @32°C
4. All units suitable for both capillary (with receiver removed) and T.X valve applications
5. Pictured unit configuration subject to change and selected accessory options.

The company reserves the right to make specification changes without notice. 7/5/09