

Scroll Condensing Units



- Quiet and efficient Copeland scroll hermetic compressors
- Generous wide finned, low noise level condensers supplied with protective coil coating
- Wide range of factory fitted accessories available
- Specifically designed for Australasian conditions

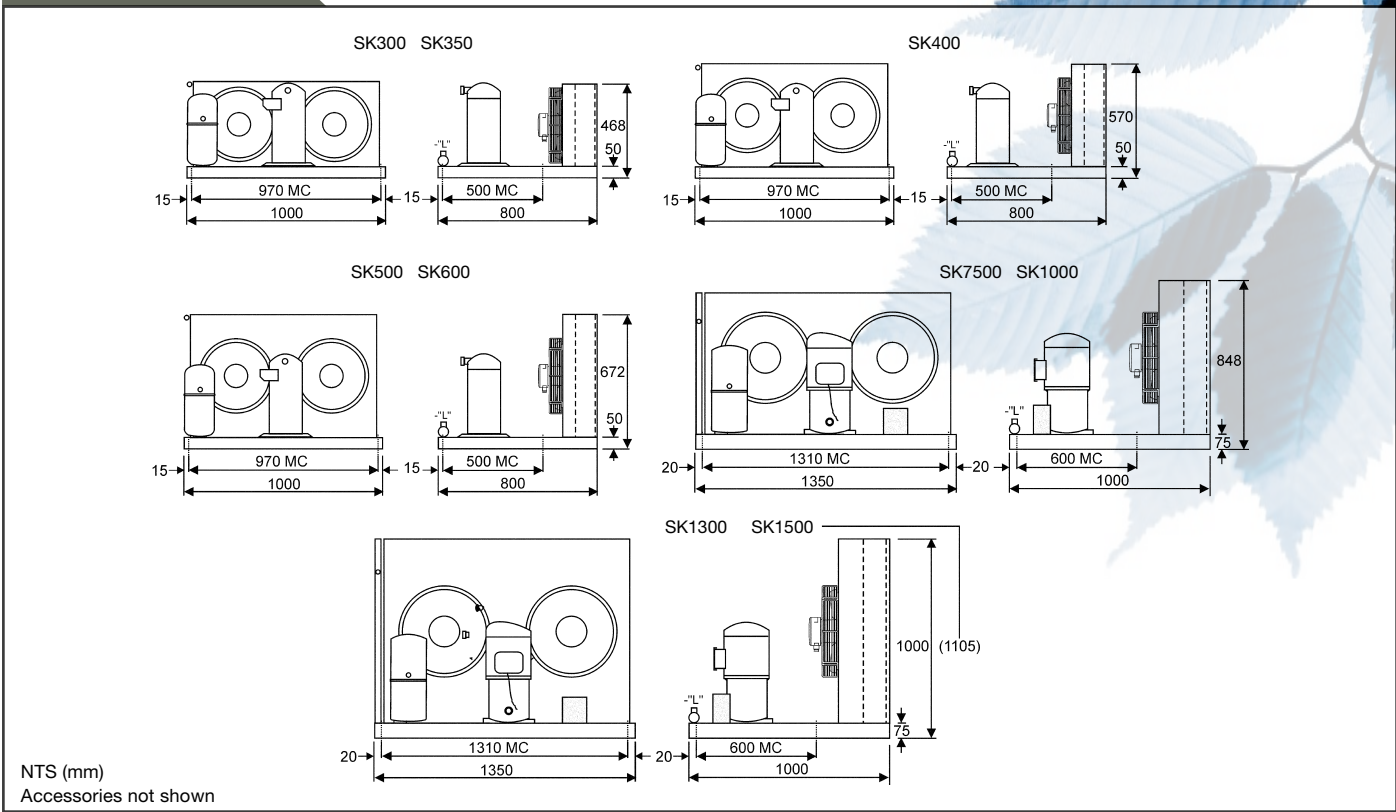
SK Low / Medium

3 15 hp

CAPACITY (Watts) @ 38°C Ambient *

MODEL	Nom. hp	Refrigerant	Evaporating Temp °C									
			-40	-35	-30	-25	-20	-15	-10	-5	0	5
SK300	3.0	R22	1390	1755	2170	2655	3250	3905	4650	5445	6395	7395
		R404A	1545	1915	2370	2865	3430	4075	4800	5540	6450	7345
SK350	3.5	R22	1720	2160	2675	3260	3945	4730	5630	6590	7660	8840
		R404A	1885	2345	2905	3505	4200	4910	5775	6645	7590	8620
SK400	4.0	R22	2015	2510	3130	3820	4625	5565	6630	7780	9125	10545
		R404A	2300	2850	3465	4185	5000	5910	6930	7950	9210	10430
SK500	5.0	R22	2445	3055	3820	4675	5665	6795	8095	9465	11105	12810
		R404A	2695	3415	4200	5085	6100	7225	8500	9785	11200	12745
SK600	6.0	R22	2835	3570	4445	5510	6710	8015	9575	11345	13215	15275
		R404A	3190	4050	4970	6015	7210	8555	9915	11430	13080	14875
SK750	7.5	R22	3615	4510	5595	6820	8255	9915	11720	13885	16200	18775
		R404A	3910	4940	6085	7360	8810	10435	12075	14105	16095	18285
SK1000	10.0	R22	4555	5825	7450	9270	11385	13645	16270	19135	22090	25230
		R404A	5025	6790	8465	10290	12280	14255	16700	19190	21945	25045
SK1300	13.0	R22	6470	7850	9705	11495	13870	16660	19945	23515	27590	32195
		R404A	6475	8325	10460	12505	14920	17635	20335	23710	27005	30630
SK1500	15.0	R22	6890	8665	10700	13080	15900	18955	22685	26670	31135	36135
		R404A	7570	9410	11570	14075	16920	19840	23390	26915	30700	34025

DIMENSIONS:



TECHNICAL DATA:

MODEL	COMPRESSOR						CONDENSER			RECEIVER	CONNECTIONS (4)		Noise Level (dbA) (5)	Weight (kg)
	NOM. hp	MODEL (1)	VOLTAGE	DISP. m³/hr	RLA Amps	LRA Amps	Airflow l/sec	Fan Motor (2)		Capacity (kg) (3)	Receiver Outlet Valve	Comp Suct Valve		
								Watts	Amps					
SK300	3.0	ZF09K4E-TFD	380-420/3/50	8.1	6.5	40.0	1460	290	1.5	6.2	1/2" F.Sw	7/8" F.Sw	61	62
SK350	3.5	ZF11K4E-TFD	380-420/3/50	10.0	7.8	46.0	1460	290	1.5	6.2	1/2" F.Sw	7/8" F.Sw	61	64
SK400	4.0	ZF13K4E-TFD	380-420/3/50	11.8	8.3	51.5	1510	290	1.5	6.2	1/2" F.Sw	7/8" F.Sw	61	83
SK500	5.0	ZF15K4E-TFD	380-420/3/50	14.5	10.7	64.0	1470	290	1.5	8.8	5/8" F.Sw	7/8" F.Sw	62	96
SK600	6.0	ZF18K4E-TFD	380-420/3/50	17.2	13.8	74.0	1550	520	3.0	8.8	5/8" F.Sw	7/8" F.Sw	66	97
SK750	7.5	ZF24K4E-TWD	380-420/3/50	21.9	16.1	99.0	2550	940	4.0	10.4	7/8" F.Sw	1-1/8" F.Sw	67	174
SK1000	10.0	ZF33K4E-TWD	380-420/3/50	28.9	22.3	127.0	2360	940	4.0	10.4	7/8" F.Sw	1-3/8" F.Sw	69	188
SK1300	13.0	ZF40K4E-TWD	380-420/3/50	35.8	25.1	167.0	2950	940	4.0	10.4	7/8" F.Sw	1-3/8" F.Sw	69	235
SK1500	15.0	ZF48K4E-TWD	380-420/3/50	42.1	30.6	198.0	3770	962	4.4	20.0	7/8" F.Sw	1-5/8" F.Sw	69	270

NOTES:

- ZF compressors must be used with liquid injection kit (-Q accessory) for all applications within shaded zones (refer to ratings)
- Fan motors are suitable for 220-240/1/50
- R404A pump down capacity shown @ 80% full for 32° C liquid temperature
- Max valve connection size shown. May reduce for different refrigerants & applications
- All noise level ratings are "free field" based at a distance of 3 mtrs from source and are given as a guide only
- *Capacity ratings are based on suction gas returning to compressor @ 20° C, without liquid sub-cooling. Ratings may be increased by approximately 1% for every 1.1 deg K of sub-cooling
- Standard condensers fitted. Ratings must not be extrapolated
- Check with Patton's nearest outlet for applications outside the specified range
- Pictured unit configuration subject to change and selected accessory options.

The company reserves the right to make specification changes without notice. 17/08/09