

Air Cooled Condensers



- Highly efficient external rotor fan motors give optimum performance with low noise levels
- Multiple fans (on all except smallest models) for flexibility of head pressure control
- Condensers supplied with "Patton Coat" fin and coil protective coating
- Optional multi-section refrigerant and subcooling circuits available to special order
- Optional vertical airflow arrangement available

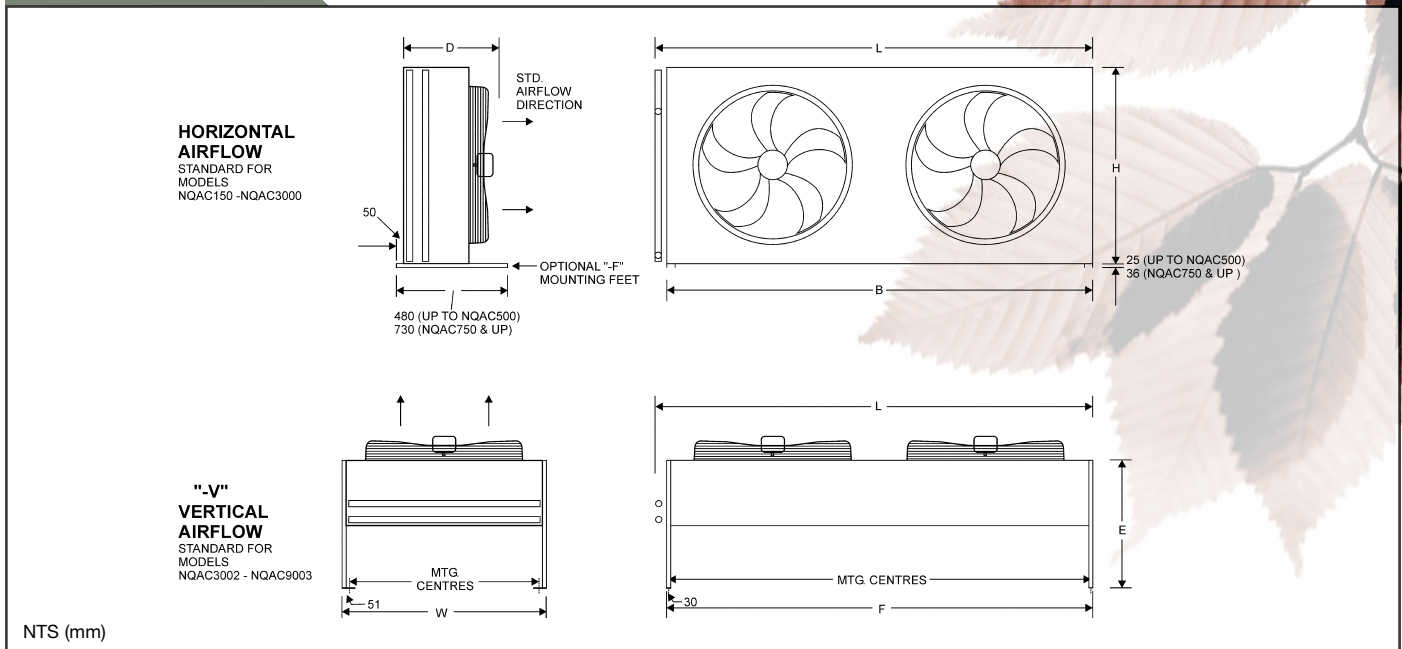
NQAC Quiet Line

6 259 kW
(15KTD)

CAPACITY THR (Watts)

MODEL	R404A			R134a			SOUND LEVEL (1)	
	1KTD	10KTD	15KTD	1KTD	10KTD	15KTD	dbA @	dbA @
							3m	10m
NQAC150	441	4410	6615	436	4360	6540	60	49
NQAC200	588	5880	8820	582	5820	8730	61	52
NQAC250	784	7840	11760	776	7760	11640	64	55
NQAC300	853	8530	12795	844	8440	12660	66	57
NQAC400	1098	10980	16470	1087	10870	16305	63	54
NQAC500	1323	13230	19845	1310	13100	19650	64	55
NQAC600	1499	14990	22485	1485	14850	22275	68	59
NQAC650	1686	16860	25290	1669	16690	25035	69	60
NQAC750	1901	19010	28515	1882	18820	28230	71	62
NQAC900	2195	21950	32925	2173	21730	32595	72	63
NQAC1000	2528	25280	37920	2503	25030	37545	72	63
NQAC1300	2989	29890	44835	2960	29600	44400	73	64
NQAC1400	3410	34100	51150	3376	33760	50640	72	63
NQAC1500	3303	33030	49545	3269	32690	49035	70	61
NQAC1700	3704	37040	55560	3666	36660	54990	70	61
NQAC2050	4047	40470	60705	4006	40060	60090	71	62
NQAC2400	4405	44050	66075	4360	43600	65400	72	63
NQAC3000	5753	57530	86295	5694	56940	85410	75	66
Vertical Air Flow Modules								
NQAC3002-V	6605	66050	99075	6538	65380	98070	73	64
NQAC3402-V	7409	74090	111135	7332	73320	109980	73	64
NQAC4102-V	7899	78990	118485	8012	80120	120180	74	65
NQAC4802-V	8810	88100	132150	8720	87200	130800	75	66
NQAC6002-V	11505	115050	172575	11388	113880	170820	78	69
NQAC4503-V	9908	99080	148620	9807	98070	147105	75	66
NQAC5103-V	11113	111130	166695	10998	109980	164970	75	66
NQAC6153-V	12142	121420	182130	12018	120180	180270	76	67
NQAC7203-V	13215	132150	198225	13080	130800	196200	77	68
NQAC9003-V	17258	172580	258870	17082	170820	256230	80	71

DIMENSIONS:



TECHNICAL DATA:

MODEL	FANS			MOTORS (2)			COIL			DIMENSIONS (mm)							Weight (dry) kg	
	No. OFF	DIA (mm)	TOT. Air Vol l/sec	TOT. AMPS	TOT. Watts	F.P.I	Std. Connections mm F. Sw		(3)	Coil Vol. (dm ³)	L	H	D	B	E	F		W
							INLET	OUTLET										
NQAC150	1	350	730	0.75	145	8	1 x 12.7	1 x 12.7	-	2.0	574	418	300	522	Vertical Airflow only			15
NQAC200	1	350	710	0.75	145	8	1 x 15.8	1 x 12.7	-	3.0	688	418	330	636	610	636	490	18
NQAC250	1	400	980	1.50	260	10	1 x 15.8	1 x 12.7	-	4.0	688	520	330	636	610	636	592	24
NQAC300	2	350	1460	1.50	290	8	1 x 15.8	1 x 12.7	-	4.0	954	418	330	902	610	902	490	27
NQAC400	2	350	1510	1.50	290	8	1 x 15.8	1 x 15.8	-	6.0	954	520	330	902	610	902	592	35
NQAC500	2	350	1470	1.50	290	10	1 x 22.2	1 x 15.8	8	8.0	954	622	350	902	610	902	694	44
NQAC600	2	400	1550	3.0	520	10	1 x 22.2	1 x 15.8	8	8.0	954	622	370	902	630	902	694	45
NQAC650	2	400	1670	3.0	520	10	1 x 22.2	1 x 15.8	9	9.0	954	698	370	902	630	902	770	53
NQAC750	2	500	2550	4.0	940	10	1 x 22.2	1 x 22.2	10	9.0	1255	772	440	1200	730	1200	844	61
NQAC900	2	500	2360	4.0	940	10	1 x 22.2	1 x 22.2	15	13.0	1255	772	440	1200	730	1200	844	73
NQAC1000	2	500	2360	4.0	940	12	1 x 22.2	1 x 22.2	15	13.0	1255	772	440	1200	730	1200	844	73
NQAC1300	2	500	2950	4.0	940	12	1 x 28.6	1 x 22.2	18	16.0	1255	924	440	1200	730	1200	996	100
NQAC1400	2	500	3610	4.0	940	12	1 x 28.6	1 x 28.6	20	17.0	1255	1030	440	1200	730	1200	1102	112
NQAC1500	2	610	3770	4.4	962	10	1 x 28.6	1 x 28.6	15	17.0	1651	772	450	1596	730	1596	844	91
NQAC1700	2	610	3770	4.4	962	10	1 x 28.6	1 x 28.6	15	17.0	1651	772	450	1596	730	1596	844	96
NQAC2050	2	610	3960	4.4	962	12	1 x 28.6	1 x 28.6	18	19.0	1651	924	450	1596	730	1596	996	127
NQAC2400	2	610	4185	4.4	962	10	1 x 34.9	1 x 34.9	22	23.0	1651	1126	450	1596	730	1596	1200	154
NQAC3000	3	610	5760	6.6	1442	12	1 x 34.9	1 x 34.9	15	49.0	2264	961	450	2206	730	2206	1033	182
Vertical Air Flow Modules											Horiz Airflow only							
NQAC3002-V	4	610	7450	8.8	1924	10	2 x 28.6	2 x 28.6	30	34.0	1651	1544	450	1596	730	1596	1618	184
NQAC3402-V	4	610	7060	8.8	1924	10	2 x 28.6	2 x 28.6	30	34.0	1651	1544	450	1596	730	1596	1618	192
NQAC4102-V	4	610	7920	8.8	1924	12	2 x 28.6	2 x 28.6	36	38.0	1651	1848	450	1596	730	1596	1922	254
NQAC4802-V	4	610	8370	8.8	1924	10	2 x 34.9	2 x 34.9	44	46.0	1651	2252	450	1596	730	1596	2326	308
NQAC6002-V	6	610	11520	13.2	2884	12	2 x 34.9	2 x 34.9	30	98.0	2264	1922	450	2206	730	2206	1996	364
NQAC4503-V	6	610	11310	13.2	2884	10	3 x 28.6	3 x 28.6	45	51.0	1651	-	-	-	730	1596	2168	281
NQAC5103-V	6	610	10590	13.2	2884	10	3 x 28.6	3 x 28.6	45	51.0	1651	-	-	-	730	1596	2168	296
NQAC6153-V	6	610	11880	13.2	2884	12	3 x 28.6	3 x 28.6	54	59.0	1651	-	-	-	730	1596	2846	389
NQAC7203-V	6	610	12555	13.2	2884	10	3 x 34.9	3 x 34.9	66	69.0	1651	-	-	-	730	1596	3452	470
NQAC9003-V	9	610	17280	19.8	4326	12	3 x 34.9	3 x 34.9	45	147.0	2264	-	-	-	730	2206	2957	554

NOTES:

- Sound level data "free field" in accordance with ISO3741 to be used as a guide only
Add 15db to "Sound pressure levels" @ 3 mtrs listed to obtain approx "Sound power levels" in db above 10-12 watts
- All motors 220-240/1/50
- No. of coil circuits available for optional multi sectioning
- Unit supplied with dry nitrogen holding charge
- Refrigerant capacity correction factors relative to R404A
Multiply capacities by the following:
R22 R407C
1.01 0.95
- Altitude correction factors
Multiply capacities by the following:
Altitude (m) 500 1000 1500 2000 2500
Factor 0.96 0.92 0.87 0.83 0.78

The company reserves the right to make specification changes without notice. 20/05/11